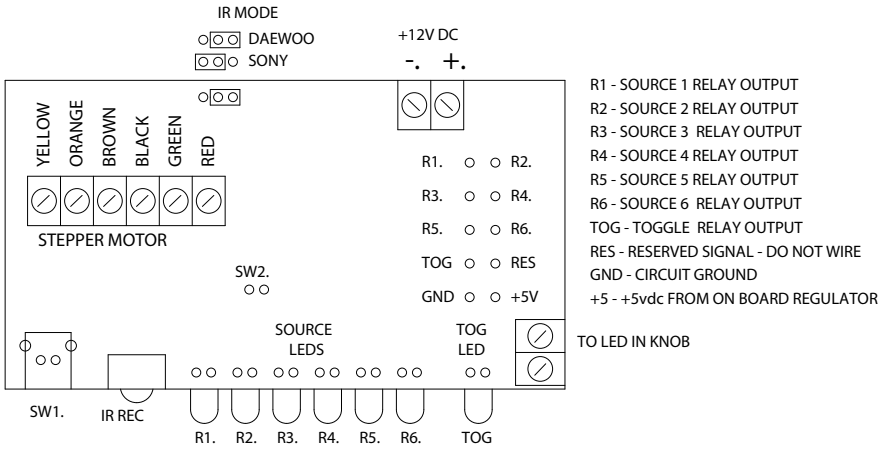


# REMOTE PCB WIRING



SW1 - This switch changes to the next source.  
 SW2 - Standard function is to toggle the toggle relay.  
 SW2 - Alternate function (special program on request) is to change to prev source

## TYPICAL RELAY WIRING

